

# BEDLOCKER®

ELECTRIC RETRACTABLE TRUCK BED COVER

## DODGE RAMBOX INSTALLATION INSTRUCTIONS



**#1 RETRACTABLE TRUCK BED COVER**

**(800) 338-3697**

**[www.paceedwards.com](http://www.paceedwards.com)**

Pace Edwards Company  
2400 Commercial Blvd.  
Centralia WA 98531

### TABLE OF CONTENTS

Tools Required for Assembly .....	2
Before You Start .....	2
Drain Hole Locations .....	2
STEP 1: Remove Contents from Box .....	2
Packaging Contents .....	3
STEP 2: Install Wiring Harness .....	3
STEP 3: Install Rails.....	3
STEP 4: Place Canister.....	4
STEP 5: Installing Clamps & Shims .....	4-5
STEP 6: Lubricating the Sweep Seals.....	6
STEP 7: Connecting the Electronics .....	6
STEP 8: Installing Drain Tubes.....	6
STEP 9: Install Top Cover .....	6
Operating the Release Handle .....	7
Helpful Maintenance Hints .....	7
Warranty Statement.....	8

(L)

Part #: BL\_DODGE\_RAMBOX\_0711

## TOOLS REQUIRED FOR ASSEMBLY:

7/16" wrench or socket      #2 Phillips screwdriver      3/8" wrench or socket  
Side Cut Pliers              Tape measure

*Note: There should be no drilling into the truck body needed on most standard or full-size trucks .*

## BEFORE YOU START:

Read the instructions carefully before you start. Due to the custom fit of this truck bed cover the installation will require a second person to help in placing the canister in the truck bed. If you have questions regarding the installation please call our Technical Support Line at (800) 338-3697.

## OPTIONAL WIRING HARNESS FOR DASHBOARD SWITCH:

The BedLocker also offers an optional wire harness (**part # BL1120**) to manually operate the tonneau cover from inside the cab of your truck.

This harness is designed to plug into the custom-built electronics control box mounted inside the canister.

Thread the plug through the side of the canister and connect it to the grey/violet plug. Make sure to secure the loose wires inside the canister away from the gear and blanket.

Then run the wire to the cab and attach under the dash in a suitable location.

## STEP 1: REMOVE CONTENTS & PLYWOOD PACKAGING

Remove the canister and top cover from the box.

Remove components from inside the canister. Perform a quick inventory to insure all parts are there.

Using the 3/8" wrench or socket remove the 2 bolts holding the plywood packaging supports on the ends of the canister. Discard plywood packaging supports and bolts.

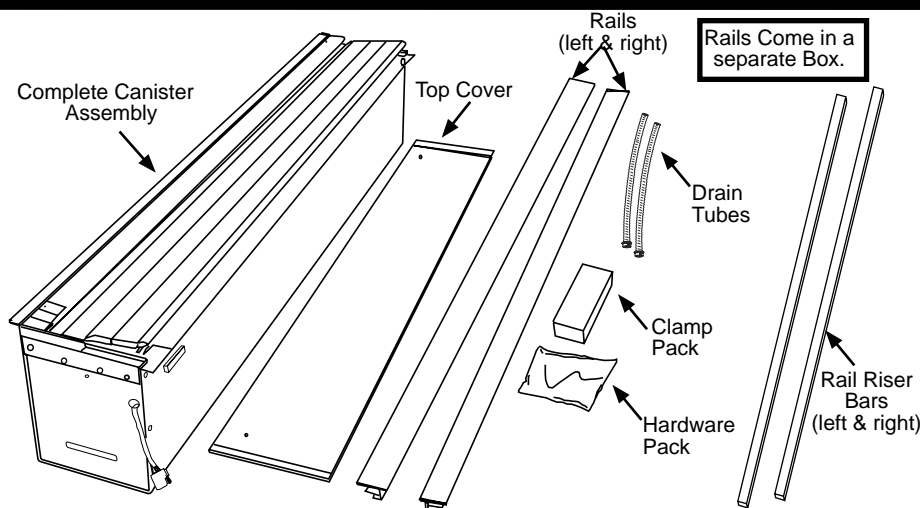
### DISCARD PLYWOOD PACKAGING AND BOLTS!

***(Do not let the blanket roll back on itself or the underside on the first three ribs can damage the visual surface of the other rolled ribs).***

Remove all of the vinyl sheeting protecting the blanket.

Pull the blanket out about 1 foot from the canister and let it hang.

## PACKAGING CONTENTS:



**DO NOT USE A KNIFE TO OPEN THE RAIL BOX.**  
**OPEN THE RAIL BOX ALONG THE LENGTH OF THE BOX AND LIFT RAILS OUT TO AVOID SCRATCHING THE SURFACE OF THE RAILS ON THE PACKAGE STAPLES.**

## STEP 2: INSTALL WIRING HARNESS

### HARDWARE USED:



(If the optional wire harness **Part# BL1120** is used, you may want to tape it to the main harness to ease having to pull them through the stake pocket separately).

From inside the truck bed push the long wire harness end **without** the plug through the stake pocket on the drivers side of the truck and out the underside of the truck bed box.

Leave approximately one foot of slack inside the box for mounting the electronics.

Route the wire harness under the truck and to the battery in the engine compartment.

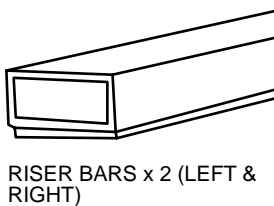
Attach the fuse holder to the end of the Red/positive wire.

**(Do not attach to the battery yet.)**

Secure the harness with wire ties provided after slack from the canister has been taken out.

## STEP 3: INSTALLING RAILS

### HARDWARE USED:



Open the rail box along the length of the box; lift rails out to avoid scratching the rail surface on the package staples.

**REMOVE PROTECTIVE PAPER ON UNDERSIDE OF RAILS AND RISER BARS. THIS IS FOR PACKAGING PURPOSES ONLY.**

Remove the cap on the end of the OE tie down bars (these will be replaced later).

Place the riser bar padded side down on top of the OE tie down bars even with the cab side of the truck bed. (there will be some overhang over the tie down bars) see Figure 2a.

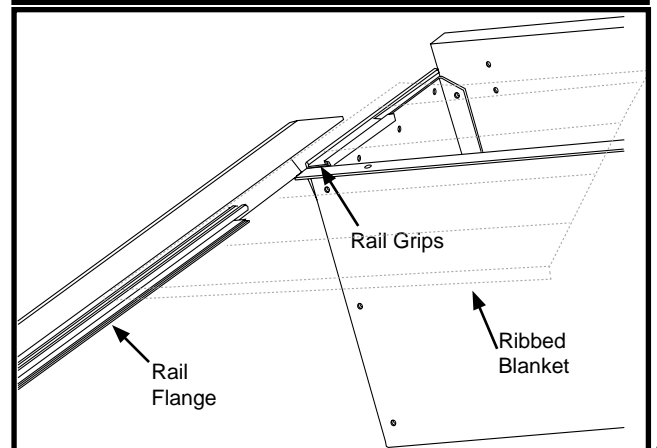
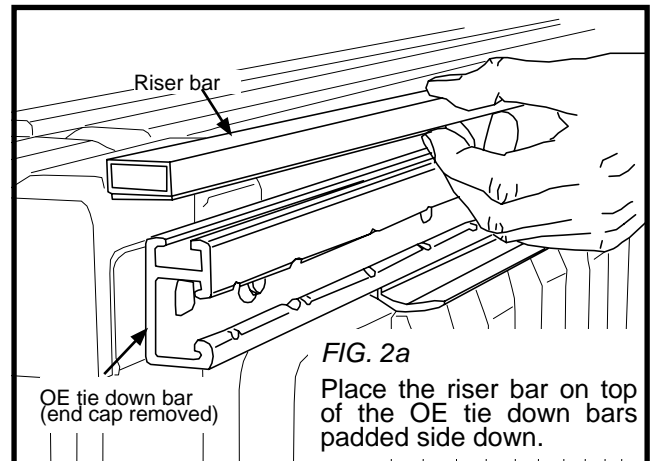
The machined end of the rail attaches to the canister.

You will need to lift the hanging portion of the ribbed blanket and thread it in the rail while sliding the rail into the rail grip mounted to the ends of the canister (**the underside of the blanket ribs need to nest on the gear**).

Make sure both flanges of rail slide into the rail grip.

Push the rails forward against the canister.

Complete for both left and right rails.



## STEP 4: PLACE CANISTER AND RAILS INSIDE THE TRUCK BED

### HARDWARE USED:



You will need a second person to help lift the canister with the rails attached into the truck bed. Place one hand under the canister and one hand under the rails and place the whole unit inside the truck bed. The canister and rails will rest on top of the riser bars.

Slide the entire canister and rail assembly forward against the cab end of the truck bed.

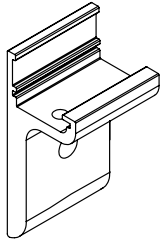
Close the tailgate and pull the rails only toward it leaving approximately 1/8" gap between the end of the rails and the tailgate.

Be sure to hold the canister in place to ensure it does not move from the front truck bed sill with the rails while adjusting the gap of the rails to the tailgate.

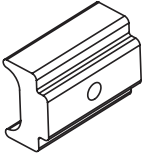
Attach the strip of foam to the front sill of the truck bed from the left tonneau rail to the right tonneau rail.

# STEP 5: INSTALLING CLAMPS ON TRUCK WITH FACTORY TIE DOWN SYSTEM

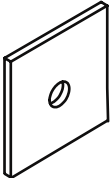
## HARDWARE USED:



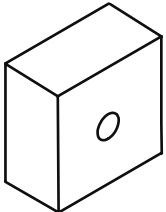
(1) CLAMP RAIL GRIP x 4



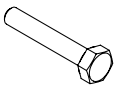
(2) RAIL GRIP BLOCK x 4



(3) CLAMP SHIM x 8  
(4 are already attached to the clamp spacers.)



(4) CLAMP SPACER x 4



(5) CLAMP RAIL BOLT x 4



(6) LOCK WASHER x 4



(7) FLAT WASHER x 4



(8) ALLEN SCREWS x 4

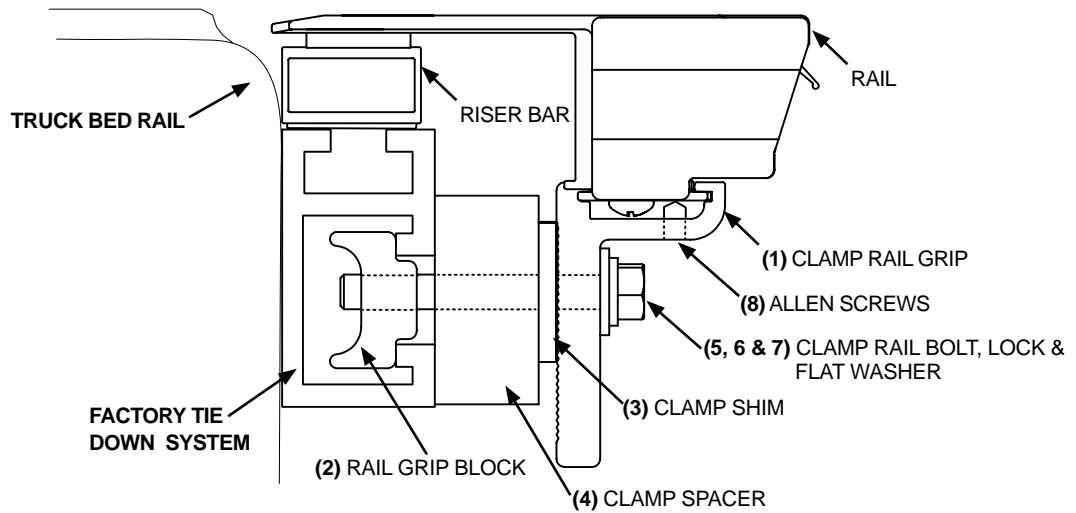


FIG. 5A

Before shimming and installing the rail clamps make sure the canister is centered between the truck bed rails.

Take the Clamp Rail Grips **(1)** and slide 2 on each rail, 6-12" from the canister and 6-12" from the tailgate.

With the tailgate closed, slide the rails to establish the correct spacing to the tailgate. The rails have rubber spacers on the end caps, to establish the correct spacing (1/16") and to prevent the tailgate from striking the rails when closing. Make sure the canister stays snug up against the cab end of the truck bed while establishing correct spacing to the tailgate. Once the rails are correctly placed open the tailgate.

Install the Rail Grip Blocks **(2)** into the track system on the truck bed. Position them behind the Clamp Rail Grips **(1)**

The between the rail measurement should be 45 3/16". Use the shims to achieve this measurement on the front clamp assembly and the tailgate end clamp assembly, take the Clamp Shims **(3)** and the Clamp Spacer **(4)** and fit them behind the Clamp Rail Grip **(1)** and up against the inner bed rail lip.

Take the Clamp Rail bolt **(5)** with the Lock Washer **(6)** and Flat Washer **(7)** and put it through the Clamp Rail Grip **(1)** and thread it into the Rail Grip Block **(2)**. Tighten the bolts making sure the rails stay level with the truck bed rails as you tighten.

Place the 4 allen screws **(8)** in the clamp rail grips as indicated in Figure 5a and tighten them.

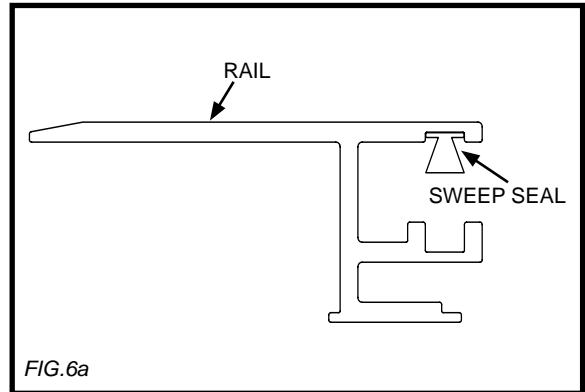
Remeasure the distance between the rails (45 3/16") at the canister and tailgate. This distance should be the same to allow your cover to operate properly.

Reinstall the OE tie down bar caps.

## STEP 6: LUBRICATING & PLACING THE SWEEP SEALS

Locate the sweep seals on the rails. Apply Pace Edwards' UV Protectant (or 303 brand protectant) to a rag and wipe the underside of the sweep seal and the top of the surface the rail rests on. (Figure 6a)

Proper care and placement of the sweep seal will ensure smooth operation of the cover. Alcohol, petroleum based or silicon-based cleaners such as Armor-All® should be avoided and ARE NOT recommended for our covers



## STEP 7: CONNECTING THE ELECTRONICS

### HARDWARE USED:



2-BUTTON REMOTE  
KEY FOB x 2

The electronics box has been pre-mounted to the inside of the canister.

Connect the battery wire harness into the 2-wire plug at the end of the canister (**also connect the optional manual switch harness, if installed at this time**)

Attach the Red (positive) and Black (negative) wires to the battery or the truck manufacturers suggested connection points at this time.

Unit is now ready to operate.

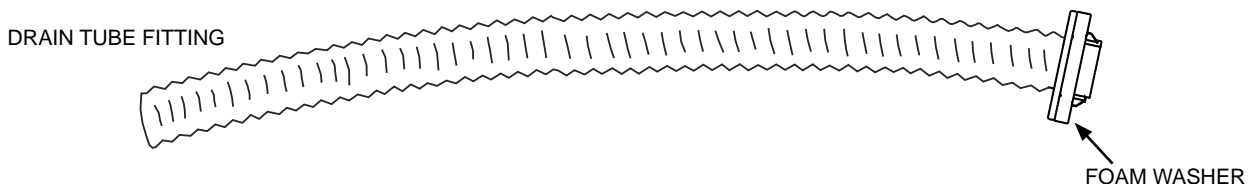
Press the Open button to open cover and press the Close button to shut the cover.

## STEP 8: INSTALLING DRAIN TUBES

First ensure that the washer is in place on the drain tube end being inserted into the canister (This will prevent water leakage).

With the cover *opened*, insert the drain tube fittings into the pre-drilled holes on the underside of the canister by pushing them in place from under the canister. Drain tube should click into place.

Place the other end of the drain tube through the grommet or through the pre-drilled holes in the floor or the front wall of the truck bed.



## STEP 9: ATTACHING TOP COVER

### HARDWARE USED:



BLACK TOP COVER  
SCREW x 2

Place the top cover on the canister opening and install the (2) Black Top Cover Screws into the attachment blocks mounted to the inside of the canister.

Hold the top cover tight against the cab side of the box while tightening.

(The top cover can be adjusted slightly to align evenly with the ribbed blanket)

You have now completed the installation of the Bedlocker Electric hard tonneau cover. If you have any questions please do not hesitate to call us at: (800) 338-3697 and ask for our technical service department.

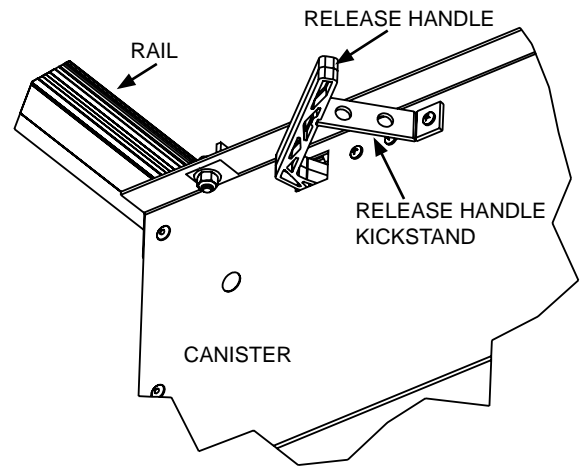
## RELEASE HANDLE INSTRUCTIONS

If power is lost to the Bedlocker unit or the electric drive system fails to operate and you have to use the cover right away you can do the following to open or close the cover:

1. You will need to gain access to the release handle located on the driver side of the canister at the front of the truck bed. Once you have access to it, Pull the handle out away from the canister and pull out the handle kickstand behind it.
2. Settle the kickstand into the notch on the handle to hold the handle in place.
3. Now you should be able to push or pull the paneled blanket manually open or closed.

NOTE: The blanket will not lock unless you disengage the kickstand and lower the release handle. With the handle released the cover will move a short distance and the cover will then lock itself in place. (Cover may not lock tightly against tailgate)

This process will allow you to use the cover until power is restored. It is not meant for extended or permanent use.



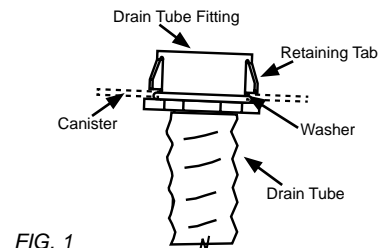
## HELPFUL MAINTENANCE HINTS

After installation, if the cover is tight or hard to open and close, the shimming may need to be re-adjusted.

Periodically remove the Top Cover and clean out the canister.

Drain tubes may become clogged overtime and should be removed and cleaned. To remove the drain tubes you must; Remove the Top Cover, close the cover to the tailgate, reach in the canister and depress the plastic retaining tabs on the drain tube fittings and push the drain tube out of the hole in the bottom of the canister. (Fig. 1)

To help keep the Bedlocker retractable tonneau cover looking its best, we recommend washing it the same as caring for your truck finish. However due to the hammer texture, removal of wax can be difficult so you should not wax your cover.



## RELEASE HANDLE ASSEMBLY MAINTENANCE

Maintenance of the Release Handle Assembly requires lubrication of the coupler located inside the canister. This is done during factory assembly but may need to be done from time to time during the life of your cover.

A small lubrication hole is provided on the coupler that a fine tipped grease gun can inject a small amount of grease into. a high quality waterproof wheel bearing grease is recommended.

To get to the coupler you will need to remove the rail clamps and end caps at the end of the rails. Use the manual release handle and **manually** pull the blanket out the end of the rails until you have access to the coupler inside the canister. Grease the coupler, cycle and spin it to distribute lubricant then reverse the process to re-assemble the cover being sure to **manually** push the cover back into place in the canister. **(DO NOT USE THE MOTOR TO RUN THE BLANKET INTO THE CANISTER OR YOU WILL DAMAGE THE RIB CAPS ON THE EDGES OF THE BLANKET.)**

# CONGRATULATIONS!

Cover. We are confident that you will get many years of trouble free service from this accessory to your truck. Please take a moment to fill out the warranty registration form to activate warranty coverage of your truck bed cover.

On your purchase of a Pace Edwards Retractable Truck Bed

## PACE EDWARDS PRODUCT WARRANTY

PACE EDWARDS (hereinafter referred to as the MFG.) warrants each new Pace Edwards Bedlocker®, JackRabbit®, Full-Metal-JackRabbit™, and Roll-Top-Cover® retractable truck bed cover to the original owner as follows:

### FOR A PERIOD OF THREE (3) YEARS FROM THE DATE THE UNIT IS DELIVERED TO THE FIRST PURCHASER OR PLACED INTO SERVICE AS A DEMONSTRATOR OR COMPANY UNIT:

- Delamination of the ArmorTek deck
- Separation of the Bedlocker/Full Metal deck panels
- Failure of the Continuous Tension Spring
- Failure of the Bedlocker drive system
- All lock assemblies
- All hardware and components

### ITEMS NOT COVERED UNDER WARRANTY FOR ANY PERIOD OF TIME:

- Rips, tears, or discoloration of the ArmorTek deck material
- Seals and gaskets
- Water intrusion from any source
- Dealer and/or purchaser installed parts and accessories

### CERTAIN CONDITIONS WILL VOID ALL WARRANTY.

These conditions include:

- Use for any purpose other than normal private use including rental and promotion
- Altering the retractable truck bed cover in any manner without written approval of the MFG
- Misuse, negligence or accident
- Installation of any part or accessory without written approval from the MFG
- Failure to register this warranty with the MFG within fourteen (14) days from date of delivery

### CONDITIONS AND LIMITATIONS

This warranty is subject to certain conditions and limitations including, but not limited to, the following:

- Any part of a Pace Edwards retractable truck bed cover that is found to be defective under the terms of this warranty will be repaired or replaced using either new or reconditioned parts at the discretion of the MFG.
- In determining what constitutes a failure under the terms of this warranty the decision of the MFG shall be final.
- This warranty is extended to the original purchaser only and is not transferable to subsequent purchasers.
- The MFG does not accept any responsibility in connection with the installation of any of its products by its dealers or agents.
- The MFG does not undertake responsibility to any purchaser for warranty express or implied by any of its dealers, distributors or agents beyond that which is contained herein.
- Without regard to an alleged defect of its products the MFG under any circumstances does not assume responsibility for loss of time, inconvenience, revenue, or other consequential damage including, but not limited to, expenses for telephone, food, lodging, travel, loss or damage to the vehicle the products are installed on or loss or damage to personal property of the purchaser or user of the products.
- The MFG reserves the right to make changes in the design of, improvements to, or warranty of its products without imposing any obligation upon itself to provide the same for any products theretofore manufactured.

*Some jurisdictions do not allow limitations on or exclusions to warranties, therefore some of the exclusions may not apply to you. This warranty affords you specific legal rights. You may have other legal rights that may vary from jurisdiction to jurisdiction.*

### CLAIM PROCEDURE

If a part fails, the purchaser should return to the selling dealer to determine if the failed part is covered under the terms of this warranty. If a Warranty Claim is necessary, the dealer will contact Pace Edwards to obtain A Return Goods Authorization. If it is impractical for the purchaser to return to the selling dealer, then the purchaser may contact the Pace Edwards Technical Assistance Help Desk at 1-800-338-3697 to determine warranty eligibility. In either event, it is the responsibility of the purchaser to obtain a Return Goods Authorization prior to returning the defective part to the MFG. The defective part, along with a copy of the original Bill of Sale and the Pace Edwards issued RGA #, must be returned PREPAID to Pace Edwards Co. 2400 Commercial Blvd. Centralia, WA 98531. After determining the validity of the warranty claim, PACE EDWARDS will ship a replacement part prepaid to the customer. Labor costs to replace defective parts are the responsibility of the purchaser.

# WARRANTY REGISTRATION

Please return this completed warranty registration within 14-days to:  
Or go online and register your warranty at:  
[www.paceedwards.com/warranty-care](http://www.paceedwards.com/warranty-care)

**Pace Edwards**  
Attn: Warranty Dept.  
2400 Commercial Blvd.  
Centralia, WA 98531



NAME: \_\_\_\_\_

ADDRESS: \_\_\_\_\_

CITY: \_\_\_\_\_ PROV./STATE: \_\_\_\_\_ PC/ZIP: \_\_\_\_\_

MODEL #: \_\_\_\_\_ SERIAL #: \_\_\_\_\_

DATE OF PURCHASE: \_\_\_\_\_ PURCHASED FROM: \_\_\_\_\_ PRICE PAID: \_\_\_\_\_

CUSTOMER SIGNATURE: \_\_\_\_\_

---

---

2400 Commercial Blvd, Centralia, WA 98531 USA  
(360) 736-9991 (*main*) ♦ (360) 736-9992 (*fax*)  
**(800) 338-3697** (*toll-free*)  
[www.paceedwards.com](http://www.paceedwards.com)

*Thank you for choosing products by...*

