

JACKRABBIT SERIES

RETRACTABLE HARD TRUCK BED COVERS



HONDA RIDGELINE INSTALLATION INSTRUCTIONS



#1 RETRACTABLE TRUCK BED COVER

(800) 338-3697

www.paceedwards.com

Pace Edwards Company
2400 Commercial Blvd.
Centralia WA 98531

TABLE OF CONTENTS

Tools Required for Assembly	2
Before You Start	2
Packaging Contents	2
STEP 1: Remove Plywood & Inventory parts.....	2
STEP 2: Attach Rail Brackets & Rails to Canister ...	3
STEP 3: Install Cab End Rail Brackets.....	4
STEP 4: Install Cover in Truck Bed	4
STEP 5: Install Tailgate End of Pull Strap	5
STEP 6: Lubricating & Placing Sweep Seals	5
STEP 7: Installing Drain Tubes.....	5
STEP 8: Install Top Cover & Velcro	6
Operating Instructions	6
Helpful Maintenance Hints	7
Warranty Statement.....	8

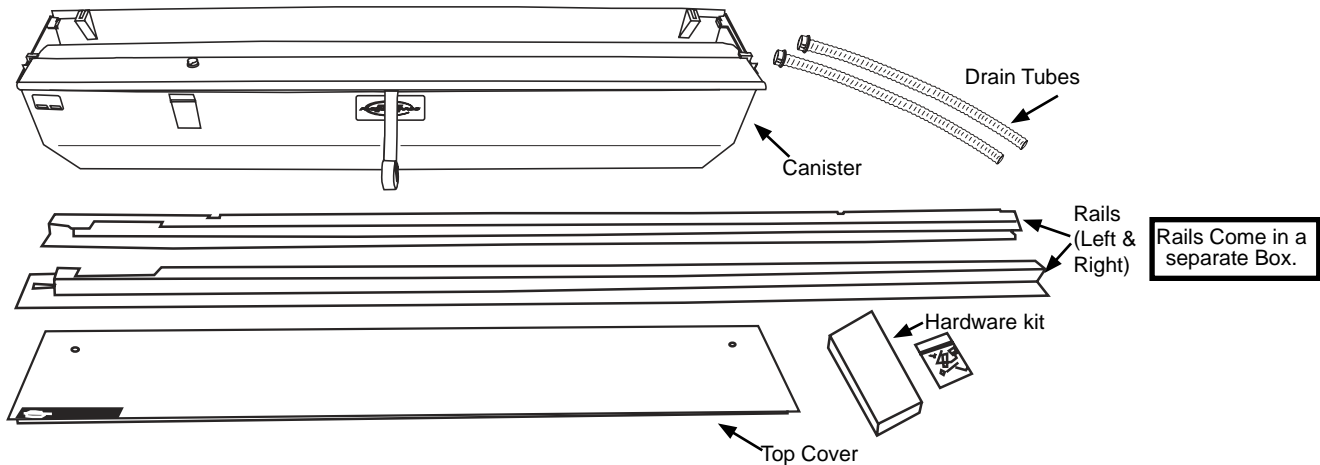
TOOLS REQUIRED FOR ASSEMBLY:

3/8" wrench or socket Razor box Knife Drill w/ 3/4" taper drill or step drill bit
#2 Phillips screwdriver #40 Torx wrench
Wire Cutters #50 Torx wrench

BEFORE YOU START:

Read the instructions carefully before you start. Due to the custom fit of this truck bed cover the installation will require a second person to help in placing the canister in the truck bed. If you have questions regarding the installation please call our Technical Support Line at (800) 338-3697.

PACKAGING CONTENTS:



DO NOT USE A KNIFE TO OPEN THE RAIL BOX.

OPEN THE RAIL BOX ALONG THE LENGTH OF THE BOX AND LIFT RAILS OUT TO AVOID SCRATCHING THE SURFACE OF THE RAILS ON THE PACKAGE STAPLES.

STEP 1: REMOVE PLYWOOD & INVENTORY CONTENTS

Remove the top cover from the canister box and set it aside for later installation.

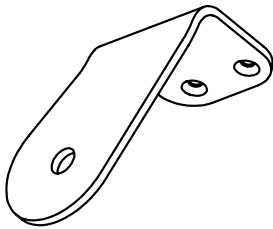
Remove the canister from the box. Using the 3/8" wrench or socket remove the 2 bolts holding the plywood on the ends of the canister. Use Side Cut Pliers to cut handle retaining straps.

DISCARD PLYWOOD PACKAGING AND BOLTS!

Perform a quick inventory to insure all parts are there. Be sure to check inside the small cardboard box for parts.

STEP 2: ATTACH RAIL BRACKET & RAILS TO THE CANISTER

HARDWARE USED:



REAR RAIL BRACKET x 2



#8-32 x 1/2" SCREWS x 4



1/4-20 x 3/4" BOLT x 2



1/4" LOCK WASHER x 2



1/4" FLAT WASHER x 2

Open the rail box along the length of the box; lift rails out to avoid scratching the rail surface on the package staples.

REMOVE PROTECTIVE PAPER ON UNDERSIDE OF RAILS. THIS IS FOR PACKAGING PURPOSES ONLY.

Find the two rear rail bracket's and four of the #8-32 X 1/2" countersunk screws in the hardware kit and attach them to each of the rails at the tailgate end. **(Notice that there is a Left hand side and a Right hand side bracket)** (Figure 2a)

Install the rails by angling them around the attached blanket guides on the canister, threading the blanket in the rails, and sliding the rails into the rail grips that are attached on the inside of the canister.

Then slide the rails forward, towards the truck cab making sure that both of the rail grips are engaged.

Secure the rail by installing the hardware (Bolt, Lock Washer, Flat Washer) through the Rail Grip Attachment and predrilled hole in the rail.

Complete for both left and right rails. (Figure 2b)

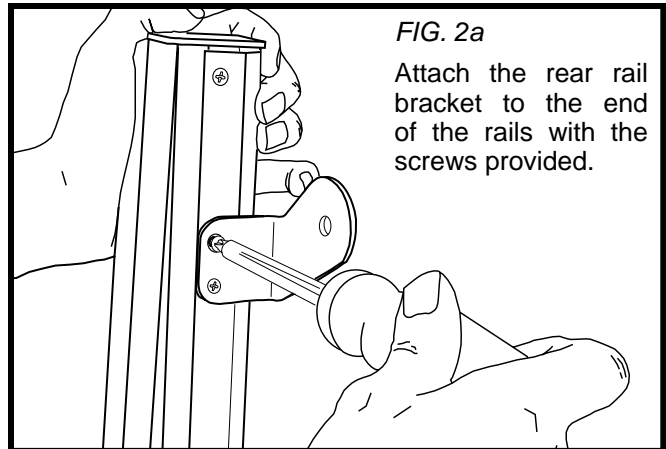


FIG. 2a

Attach the rear rail bracket to the end of the rails with the screws provided.

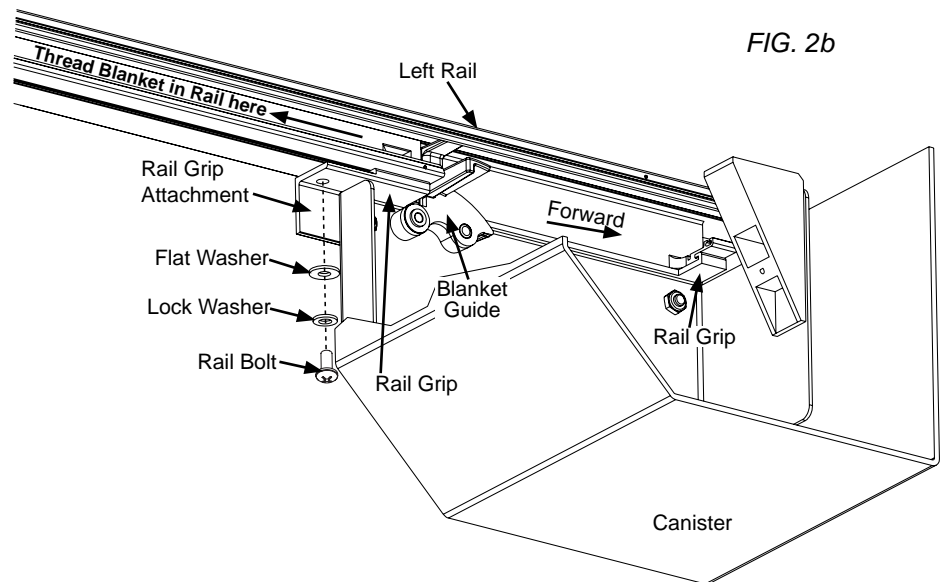
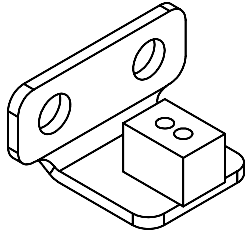


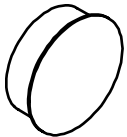
FIG. 2b

STEP 3: INSTALL CAB END RAIL BRACKETS & PREPARE BED

HARDWARE USED:



FRONT RAIL BRACKET x 2

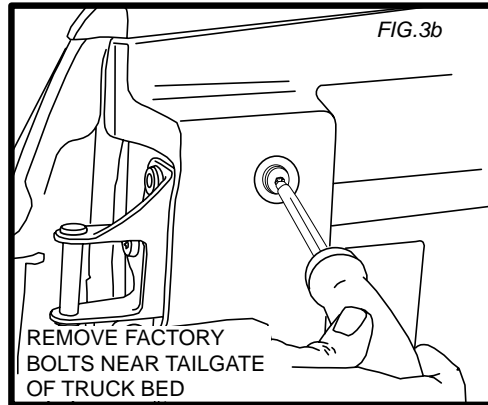
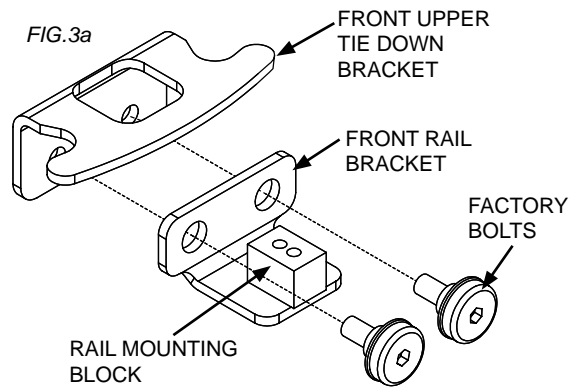


BED HOLE PLUG x 2

Find the two front rail brackets with rail mounting block attached to them in the hardware kit.

In the truck bed remove the two factory bolts holding the front upper tie down bracket in place with a #50 torx bit.

Place the front rail bracket in front (mounting block up) of the upper tie down bracket and run factory bolts back in making sure the upper tie down bracket is exactly the way it was when removed. (Figure 3a)



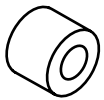
REMOVE FACTORY BOLTS NEAR TAILGATE OF TRUCK BED

Now find the two black bed hole plugs in the hardware kit box and put them in the two upper middle holes in the bed wall.

While in the truck bed remove the factory bolt in the bed wall at the tailgate end of the truck bed with the #40 torx bit. (Figure 3b)

STEP 4: INSTALL COVER IN TRUCK BED

HARDWARE USED:



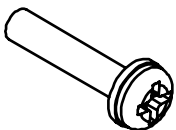
NYLON SPACER x 2



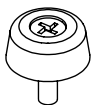
FLAT WASHER x 2



LOCK WASHER x 2



M6 x 30mm BOLTS x 2



FRONT RAIL BRACKET SCREW x 2

With one person on each side of the canister grab the rails and take the cover to the center of the truck bed, place the cover inside the bed and slide the canister evenly up to the cab and in between the front upper tie down and the mounting block on the front rail bracket ending up on the lip of the bed bulkhead.

Find the two M6 x 30mm bolts, lock washers, flat washers and the two nylon spacers in the component box.

Take the M6 bolts with lock washer and flat washer and run them through each of the rear rail brackets, take the two nylon spacers and put them on the M6 bolts between the truck bed and back of the bracket (before tightening the M6 bolts be sure that the canister is tight to the bulkhead to prevent cross threading) (Figure 4a)

Tighten the two M6 bolts.

Place the two front rail bracket screws in between the hole in the upper tie down bracket and through the hole in the rail and tighten down completely. (Figure 4b)

The between the rails measurement should be about 49-7/16" at both the front of the rails (near the canister) and the rear of the rails (near the tailgate).

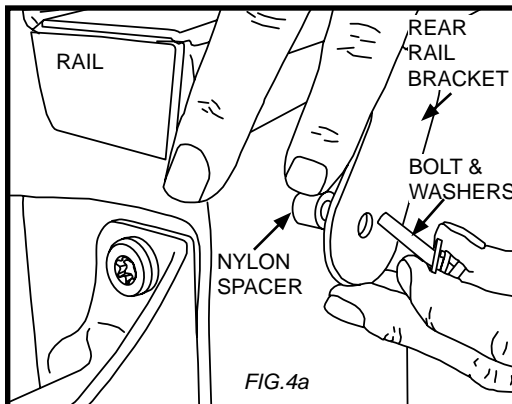


FIG.4a

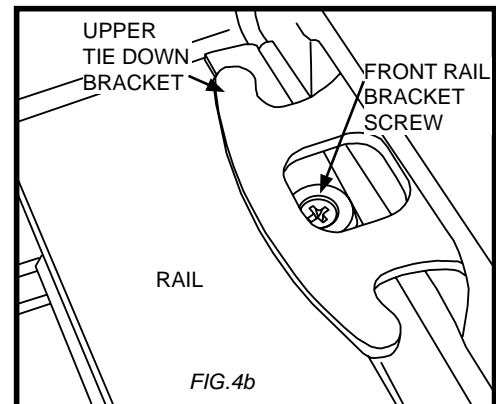
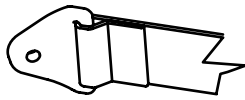


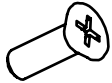
FIG.4b

STEP 5: INSTALL TAILGATE END OF PULL STRAP

HARDWARE USED:

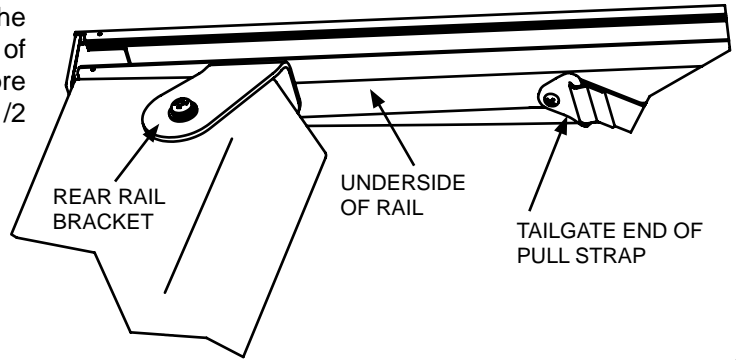


PULL STRAP x 1
(TAILGATE END)



#8-32 x 1/2" SCREWS x 1

Install the tailgate end of the pull strap to the underside of the drivers side rail in the pre drilled hole using the #8-32 x 1/2 countersunk screw.

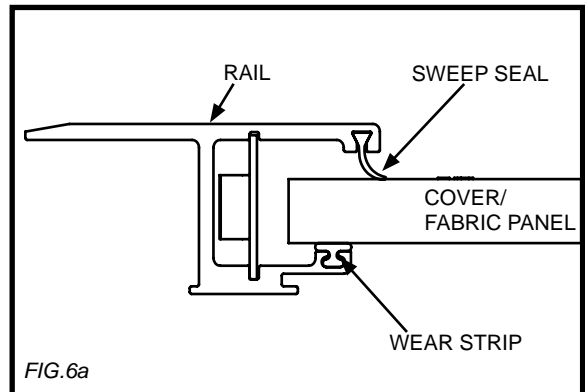


STEP 6: LUBRICATING & PLACING THE SWEEP SEALS

Locate the sweep seals (rubber weather strips) on the rails. Apply Pace Edwards' UV Protectant (or 303 brand protectant) to a rag and wipe the underside of the sweep seal and the top of the wear strip.

Extend the cover to the tailgate. Use an Allen wrench if needed to carefully draw out the sweep seal (seal should be angled outwards toward the cover – not rolled in toward the bed rail). (Figure 6a)

Proper care and placement of the sweep seal will ensure smooth operation of the cover. Alcohol, petroleum based or silicon-based cleaners such as Armor-All® should be avoided and ARE NOT recommended for our covers



STEP 7: INSTALLING DRAIN TUBES

The Ridgeline has standard OE plastic/rubber access ports in the floor at the front of the truck bed. You will need to use the box knife to remove these plugs. (Figure 7a)

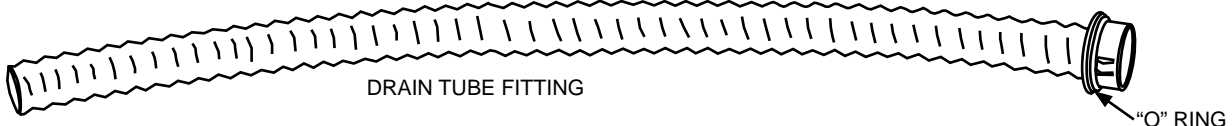
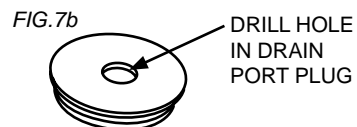
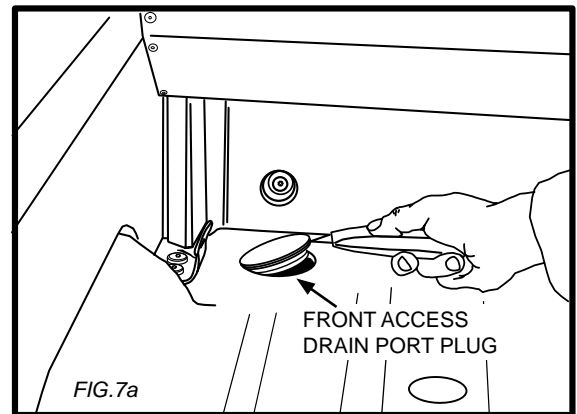
Once removed use a suitable drill bit (such as a taper drill or step drill) and drill or create drain tube clearance holes at 3/4" (19mm) through the removed plugs. (Figure 7b)

Ensure that the "o" ring is in place on the drain tube end being inserted into the bottom of the canister (This will prevent water leakage).

Test fit the drain tube to determine the length you want to trim it. Always caution on the long side.

With the cover *opened*, insert the drain tube fittings into the pre-drilled holes on the underside of the canister by firmly pushing them in place from under the canister. Drain tube should click into place. (This is a tight fit that may require much pressure and a slight turning of the tube as it is being pushed in.)

Place the other end of the drain tube through the front access drain port plug.



STEP 8: ATTACHING TOP COVER & VELCRO TO PULL STRAP

HARDWARE USED:



4' VELCRO STRIP



BLACK TOP COVER
SCREW x 2

Place the Top Cover on the canister and install with the two black Top Cover screws into the top cover mounting blocks. (we recommend that you use a thread locking adhesive like Loctite® on the screws)

Retract the cover to the fully open position.

Attach the 4" Velcro strip onto the Velcro strip already attached to the pull strap.

Pull the pull strap over to the driver's side rail and remove the tape from the 4" Velcro strip.

Then apply the Velcro strip onto the underside of the rail at your desired position. (*Figure 8a*)

This will hold the pull strap off of the floor and out of the way when cargo is being stored in the truck bed.

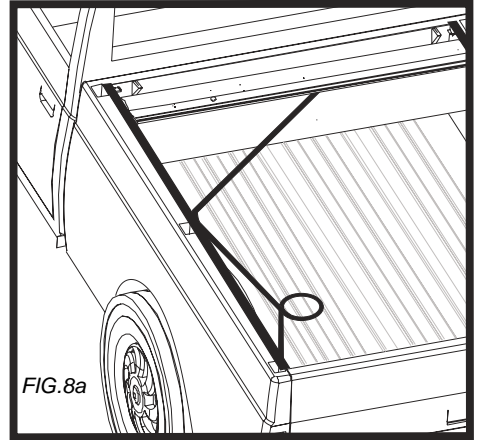


FIG. 8a

You have now completed the installation of your JackRabbit hard tonneau cover. If you have any questions please do not hesitate to call us at: (800) 338-3697 and ask for our technical service department.

OPERATING INSTRUCTIONS

1. To open the cover, turn the actuator knob clockwise 90° until it clicks in the open position. This retracts the latches into the handle and the cover is free to roll open into the canister. A tug on the pull strap will release the latch and allow the cover to lock into the rails.
2. To latch the cover in one of the mid-range positions, pull it back just beyond the position desired and allow the cover to retract until it latches into place. Latching positions are located every 12 inches along the rails. The clicking sound is the spring-loaded latches mounted inside the handle. The latches are designed to bypass the latching positions as the cover is being closed and to stop the cover as it is being retracted.
3. To close the cover, pull on the strap to draw it back toward the tailgate. When it is within easy reach, grasp the handle by the hand grip and pull the cover to the latching position against the tailgate.
4. To use the key lock, position the cover on the truck bed with the actuator knob in the closed position and turn the key.

HELPFUL MAINTENANCE HINTS

To assure quiet, smooth operation, apply a small amount of Pace Edwards' UV Protectant (or 303 brand lubricant) to a rag and wipe the underside of the sweep seal and the top of the wear strip. Re-apply if the cover begins squeaking or sticking during use. (Fig. 1)

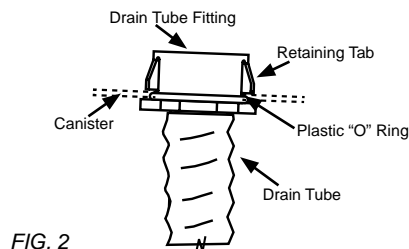
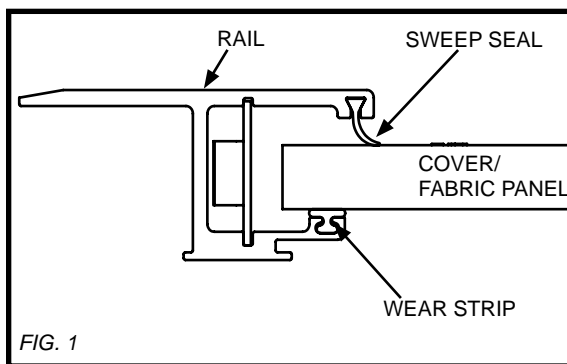
Proper care and placement of the sweep seal will ensure smooth operation of the cover. Alcohol, petroleum based or silicon-based cleaners such as Armor-All® should be avoided and ARE NOT recommended for our covers.

Periodically remove the Top Cover and clean out the canister.

It is important to open and close the cover regularly; the spring that operates the cover is self-lubricated and regular use assures that it stays in proper working condition.

Drain tubes may become clogged overtime and should be removed and cleaned. To remove the drain tubes you must; Remove the Top Cover, close the cover to the tailgate, reach in the canister and depress the plastic retaining tabs on the drain tube fittings and push the drain tube out of the hole in the bottom of the canister. (Fig. 2)

To help keep the JackRabbit tonneau cover looking it's best, we recommend washing it the same as caring for your truck finish. However you should not wax your cover. Using a citrus-based vinyl cleaner and protectant such as Pace Edwards Brand or the 303 brand will keep your cover looking like new. Alcohol, petroleum based or silicon-based cleaners such as Armor-All should be avoided and ARE NOT recommended for our covers.



CONGRATULATIONS!

On your purchase of a Pace Edwards Retractable Truck Bed Cover. We are confident that you will get many years of trouble free service from this accessory to your truck. Please take a moment to fill out the warranty registration form to activate warranty coverage of your truck bed cover.

PACE EDWARDS PRODUCT WARRANTY

PACE EDWARDS (hereinafter referred to as the MFG.) warrants each new Pace Edwards Bedlocker®, JackRabbit®, Full-Metal-JackRabbit™, and Roll-Top-Cover® retractable truck bed cover to the original owner as follows:

FOR A PERIOD OF THREE (3) YEARS FROM THE DATE THE UNIT IS DELIVERED TO THE FIRST PURCHASER OR PLACED INTO SERVICE AS A DEMONSTRATOR OR COMPANY UNIT:

- Delamination of the ArmorTek deck
- Separation of the Bedlocker/Full Metal deck panels
- Failure of the Continuous Tension Spring
- Failure of the Bedlocker drive system
- All lock assemblies
- All hardware and components

ITEMS NOT COVERED UNDER WARRANTY FOR ANY PERIOD OF TIME:

- Rips, tears, or discoloration of the ArmorTek deck material
- Seals and gaskets
- Water intrusion from any source
- Dealer and/or purchaser installed parts and accessories

CERTAIN CONDITIONS WILL VOID ALL WARRANTY.

These conditions include:

- Use for any purpose other than normal private use including rental and promotion
- Altering the retractable truck bed cover in any manner without written approval of the MFG
- Misuse, negligence or accident
- Installation of any part or accessory without written approval from the MFG
- Failure to register this warranty with the MFG within fourteen (14) days from date of delivery

CLAIM PROCEDURE

If a part fails, the purchaser should return to the selling dealer to determine if the failed part is covered under the terms of this warranty. If a Warranty Claim is necessary, the dealer will contact Pace Edwards to obtain A Return Goods Authorization. If it is impractical for the purchaser to return to the selling dealer, then the purchaser may contact the Pace Edwards Technical Assistance Help Desk at 1-800-338-3697 to determine warranty eligibility. In either event, it is the responsibility of the purchaser to obtain a Return Goods Authorization prior to returning the defective part to the MFG. The defective part, along with a copy of the original Bill of Sale and the Pace Edwards issued RGA #, must be returned PREPAID to Pace Edwards Co. 2400 Commercial Blvd. Centralia, WA 98531. After determining the validity of the warranty claim, PACE EDWARDS will ship a replacement part prepaid to the customer. Labor costs to replace defective parts are the responsibility of the purchaser.

CONDITIONS AND LIMITATIONS

This warranty is subject to certain conditions and limitations including, but not limited to, the following:

- Any part of a Pace Edwards retractable truck bed cover that is found to be defective under the terms of this warranty will be repaired or replaced using either new or reconditioned parts at the discretion of the MFG.
- In determining what constitutes a failure under the terms of this warranty the decision of the MFG shall be final.
- This warranty is extended to the original purchaser only and is not transferable to subsequent purchasers.
- The MFG does not accept any responsibility in connection with the installation of any of its products by its dealers or agents.
- The MFG does not undertake responsibility to any purchaser for warranty express or implied by any of its dealers, distributors or agents beyond that which is contained herein.
- Without regard to an alleged defect of its products the MFG under any circumstances does not assume responsibility for loss of time, inconvenience, revenue, or other consequential damage including, but not limited to, expenses for telephone, food, lodging, travel, loss or damage to the vehicle the products are installed on or loss or damage to personal property of the purchaser or user of the products.
- The MFG reserves the right to make changes in the design of, improvements to, or warranty of its products without imposing any obligation upon itself to provide the same for any products theretofore manufactured.

Some jurisdictions do not allow limitations on or exclusions to warranties, therefore some of the exclusions may not apply to you. This warranty affords you specific legal rights. You may have other legal rights that may vary from jurisdiction to jurisdiction.

WARRANTY REGISTRATION

Please return this completed warranty registration within 14-days to:

Or go online and register your warranty at:

www.paceedwards.com/warranty-care

Pace Edwards
Attn: Warranty Dept.
2400 Commercial Blvd.
Centralia, WA 98531



NAME: _____

ADDRESS: _____

CITY: _____ PROV./STATE: _____ PC/ZIP: _____

MODEL #: _____ SERIAL #: _____

DATE OF PURCHASE: _____ PURCHASED FROM: _____ PRICE PAID: _____

CUSTOMER SIGNATURE: _____