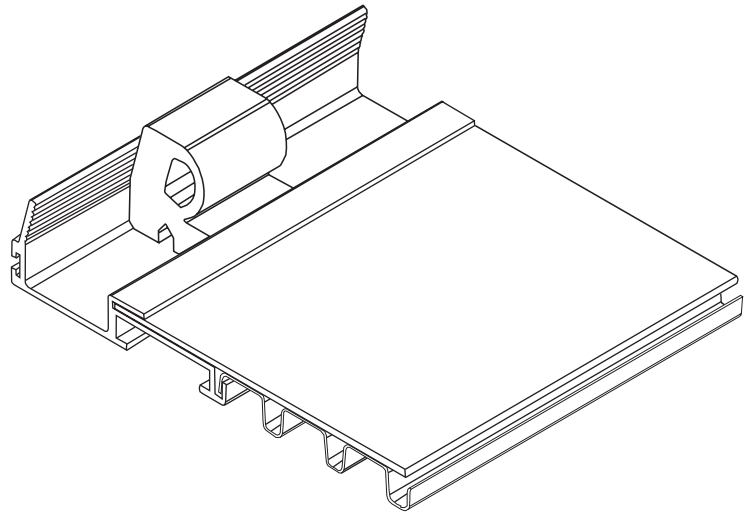
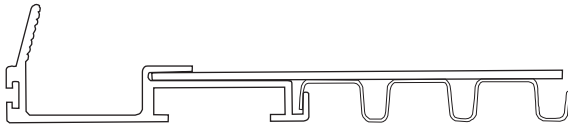




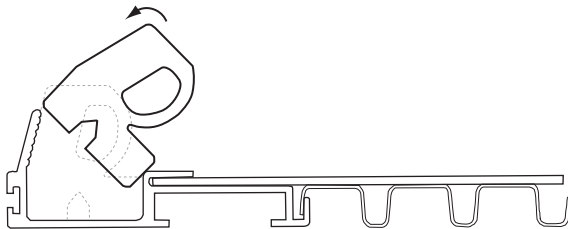
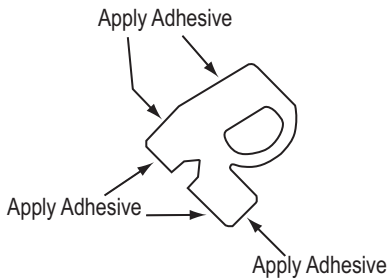
Handle Stop Instructions



(side view of Handle Stop)



(side view of Handle assembly)



Locate the Handle Stops.

Place Handle Stops near the outer edges of the Handle, within 4 inches of the side rails.

Clean the areas where Handle Stops will be placed and where adhesive will be applied to the Handle Stop with alcohol and allow to dry.

Apply adhesive to the Handle Stop as shown.

Pivot into place, press firmly to ensure a tight fit with no gaps where Handle Stop adheres to the handle. Hold for at least 30 seconds. (the Handle Stop is designed to fit very snugly and may require some manipulation to be placed.)