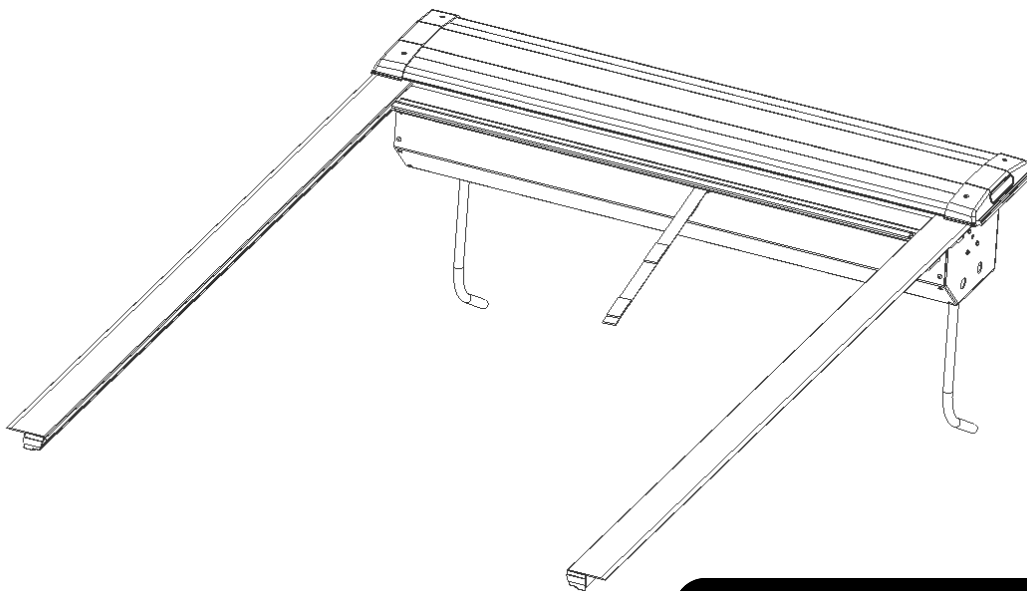


# SWITCHBLADE

RETRACTABLE TRUCK BED COVERS

## HONDA RIDGELINE INSTALLATION INSTRUCTIONS



**PACE | EDWARDS**

**(866) 338-3697**

**[www.paceedwards.com](http://www.paceedwards.com)**

Pace Edwards Company  
2400 Commercial Blvd.  
Centralia WA 98531

SWH2-1610

### TABLE OF CONTENTS

|   |   |
|---|---|
| Tools Required for Assembly .....   | 1 |
| Before You Start .....  | 1 |
| Packaging Contents .....  | 1 |
| STEP 1: Remove From Packaging, and<br>Hardware and Packaging Contents ..... | 1 |
| STEP 2: Installing Rail Brackets.....                                       | 2 |
| STEP 3: Positioning Canister .....  | 2 |
| STEP 4: Installing Rails .....  | 3 |
| STEP 5: Repositioning Canister .....  | 3 |
| STEP 6: Securing Rails to Bed.....  | 3 |
| STEP 7: Lubricating & Placing Sweep Seals .....                             | 4 |
| STEP 8: Installing Drain Tubes .....  | 4 |
| STEP 8: Attaching Top Cover .....   | 5 |
| Operating Instructions .....  | 5 |
| Maintenance .....   | 6 |
| Warranty .....  | 7 |

## TOOLS REQUIRED FOR ASSEMBLY

7/16" Wrench or Socket

Tape Measure

Drill or Impact Driver

#2 Phillips Screwdriver

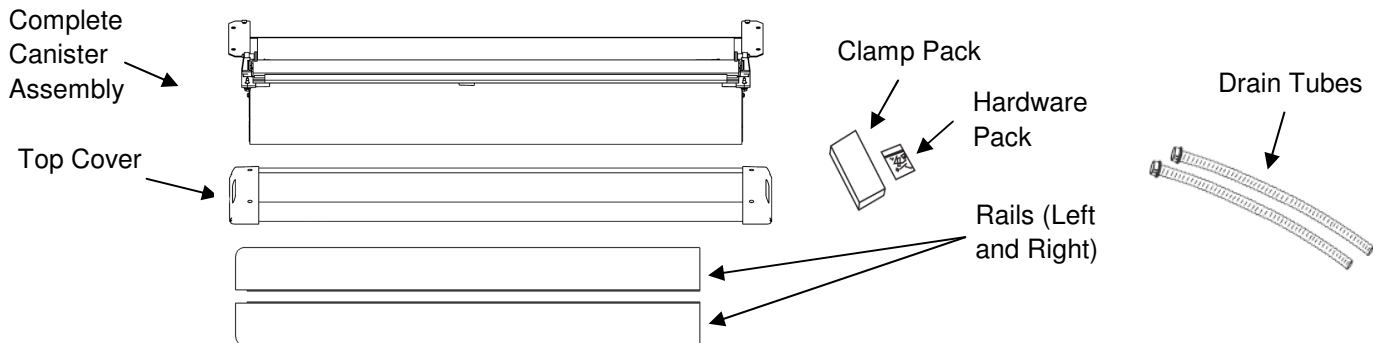
Utility Knife

T50 Torx Socket

## READ THE INSTRUCTIONS CAREFULLY BEFORE YOU START!

Read the instructions carefully before you start. If you have any questions regarding the installation please call our Technical Support Line at: (866) 419-4932

## PACKAGING CONTENTS:



**CAUTION!**

TO AVOID SCRATCHING THE SURFACE OF THE RAILS, DO NOT SLIDE THEM OUT THE END OF THE BOX. OPEN THE BOX ALONG THE LENGTH, USE PLIERS TO PULL THE STAPLES, LIFT THE RAIL OUT. DO NOT USE A KNIFE TO CUT THE BOX OPEN.

**CAUTION!**

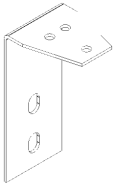
## STEP 1: REMOVE FROM PACKAGING AND REVIEW CONTENTS

A complete unit will consist of one canister box (marked box 1 of 2) and one rail box (marked box 2 of 2). Remove the Top Cover, Canister, Clamp pack, hardware pack, and drain tubes from the canister box. Remove the rails from the rail box (see caution below). Perform a quick inventory of the packaging contents to ensure all parts are there.

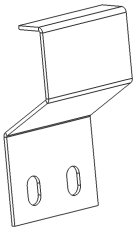
Remove the canister from the box. Discard the packaging boards. These are for shipping purposes only.

## STEP 2: INSTALLING RAIL BRACKETS

Hardware:

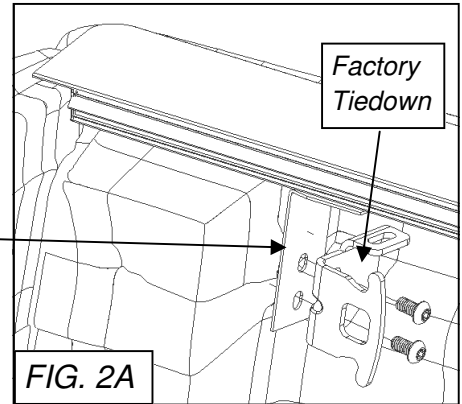


Rear Bracket  
X2

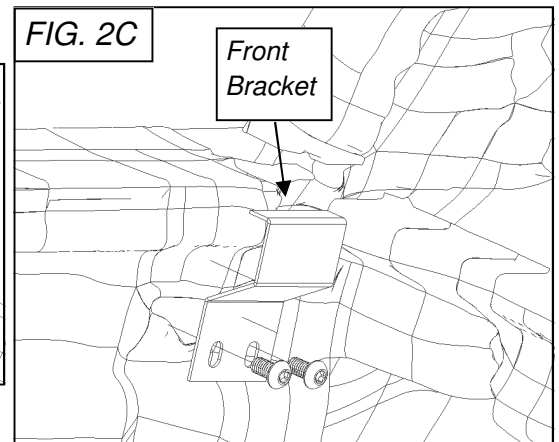
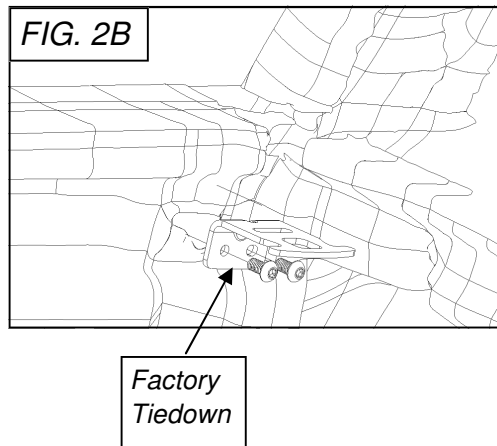


Front Bracket  
X2

First remove the rear factory tiedown bracket with your T50 Torx bit. Now reinstall the rear factory tiedown with the rear rail bracket sandwiched between. (FIG. 2A)



Next remove the Front factory tiedown (FIG. 2B). Then replace that tiedown with the Front Bracket (FIG. 2C). The top of this bracket should be flush with the side sill or your truck.



## STEP 3: POSITIONING CANISTER

Use the Pull Strap and one canister flange to lift and steady the unit. Wrap the Pull Strap around the center of the canister a couple times and double it up in your hand.

You will need one or two support pieces (We suggest using the top of the box the canister was shipped in FIG. 2A.) to set in the truck bed approximately one foot from the cab that will go under the canister, raising the top of the canister above the bed rails by 2-3 inches.

**NOTE:** If two people are available you can skip to the next step and install the assembled canister and rails on the truck.

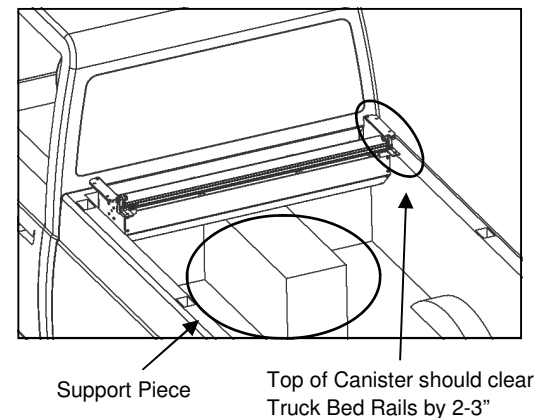


FIG. 2A

## STEP 4: INSTALLING RAILS

### HARDWARE USED:



1/4-20 X 1"  
RAIL BOLT x 2



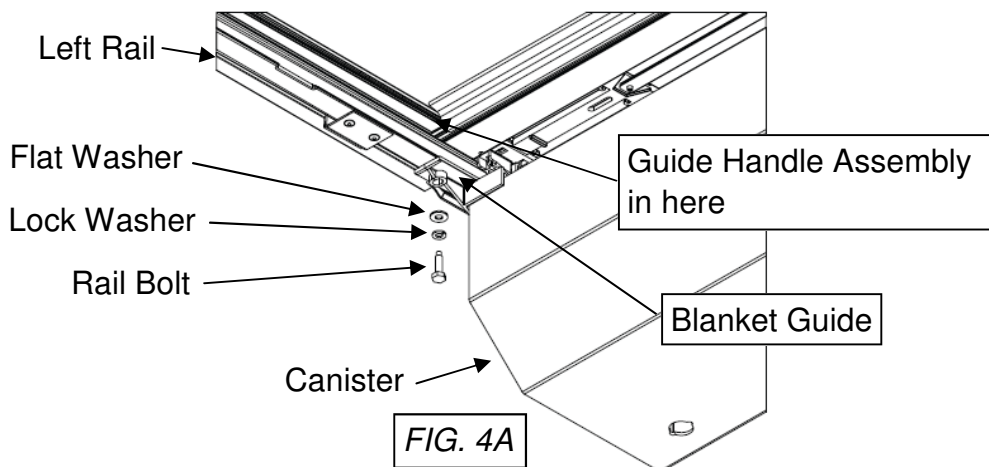
1/4" LOCK  
WASHER x 2



1/4" FLAT  
WASHER x 2

Remove the protective paper from the foam on the underside of the Rail flanges. This is for packaging purposes only. The rails shipped with plastic shims pre-installed to the Rail Brackets for proper spacing. Ensure those shims are in place.

Next identify the left and right side rails. The plastic rail endcap should be towards the tailgate while the rail flange and foam, shims and brackets towards the outside of the truck bed. Install the rails by first guiding the Handle Assembly into the open channel of the rail and then sliding the rail against the blanket guide on the canister. Attach the rail to the canister using the rail bolt, lock washer and flat washer through the blanket guide and into the bottom of the rail.



The Rail shown is for REFERENCE and may not exactly match your particular Rail geometry.

## STEP 5: REPOSITIONING THE CAN

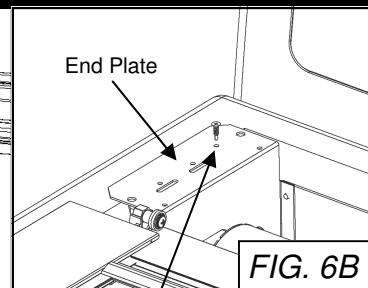
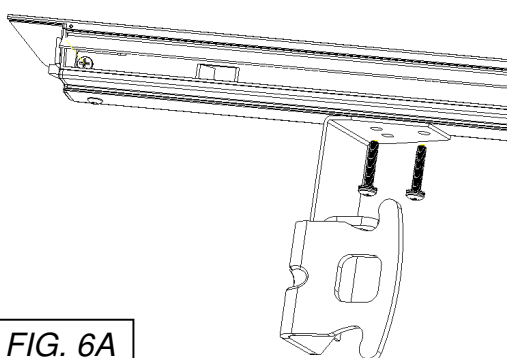
If you installed the unit by yourself using supports:

Remove the support(s) under the canister so that the canister and rails rest firmly on the sides of the truck bed. With the tailgate closed position the rails so they are snug up against the tailgate.

If you installed the canister and rails all at once you can skip this step.

## STEP 6: SECURING RAILS TO BED

First line up the rear holes in the rail with the two inside holes on the rear bracket (FIG. 6A). Then screw the two 10-24 pan head screws into each rear bracket. Next make sure that your canister is centered left to right. Next, using the front rail hole as a guide, screw in the 10-16 black self drilling screw through the front bracket, using the hole in the endplate as a guide (FIG. 6B). An impact driver or drill works best for this but can slowly be done with a screwdriver.

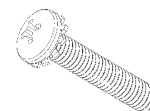


Screw self drilling hole in here through the Canister Bracket.

### Hardware:



10-16 X 1/2"  
Screw X2



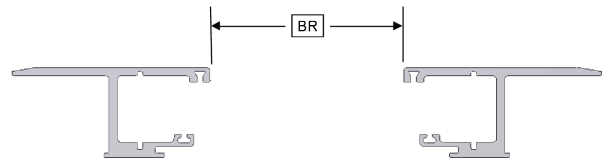
10-24 X 1"  
Screw X4

## STEP 6: SECURING RAILS TO BED CONTINUED...

Before you completely tighten your rail make sure that your between the rail dimension is less than your equal the dimension below (FIG. 6C).

| PART NUMBER | BETWEEN RAILS (BR) |
|-------------|--------------------|
| SW2117      | 53 5/16            |

FIG. 6C

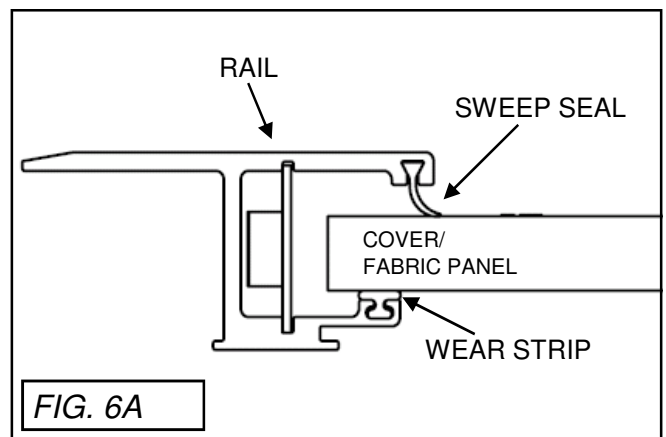


## STEP 7: LUBRICATING & PLACING THE SWEEP SEALS

Locate the sweep seals (rubber weather strips) on the rails. Open the provided 303 brand protectant sponge pack (find it adhered to the underside of the top cover) and wipe the underside of the sweep seal and the top of the wear strip.

Extend the cover to the tailgate. Use an Allen wrench if needed to carefully draw out the sweep seal (seal should be angled outwards toward the cover – not rolled in toward the bed rail). (Fig. 6A)

Proper care and placement of the sweep seal will ensure the smooth operation of the cover. Alcohol, petroleum based or silicon-based UV Protectants such as Armor-All® should be avoided and ARE NOT recommended for our covers.



## STEP 8: INSTALLING DRAIN TUBES

The Ridgeline has standard OE plastic/rubber access ports in the floor at the front of the truck bed. You will need to use the box knife to remove these plugs. (Figure 7a)

Once removed use a suitable drill bit (such as a taper drill or step drill) and drill or create drain tube clearance holes at 3/4" (19mm) through the removed plugs. (Figure 7b)

Ensure that the "o" ring is in place on the drain tube end being inserted into the bottom of the canister (This will prevent water leakage).

Test fit the drain tube to determine the length you want to trim it. Always caution on the long side.

With the cover *opened*, insert the drain tube fittings into the pre-drilled holes on the underside of the canister by firmly pushing them in place from under the canister. Drain tube should click into place. (This is a tight fit that may require much pressure and a slight turning of the tube as it is being pushed in.)

Place the other end of the drain tube through the front access drain port plug.

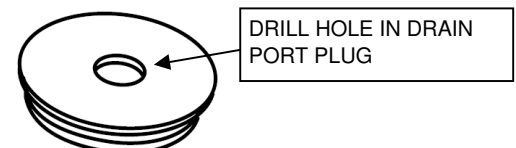
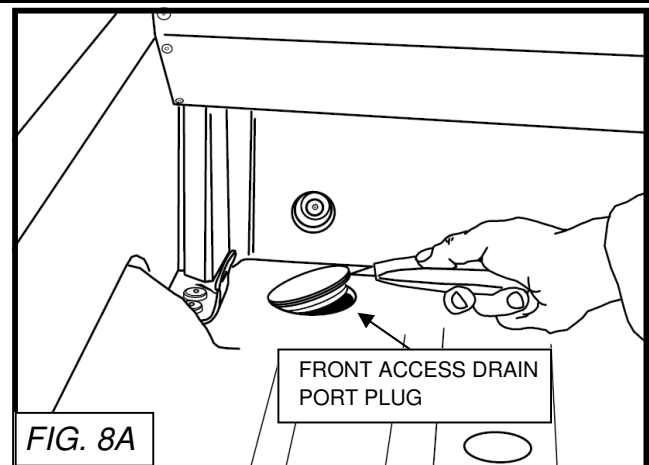


FIG. 8B



## STEP 9: ATTACHING TOP COVER

### HARDWARE



BLACK TOP COVER  
SCREW x 4



4" VELCRO STRIP

Place the Top Cover on the canister and install with the 4 black Top Cover screws through the top cover endcaps and into the panel nuts on the canister flanges. (we recommend that you use a thread locking adhesive like Loctite® on the screws)

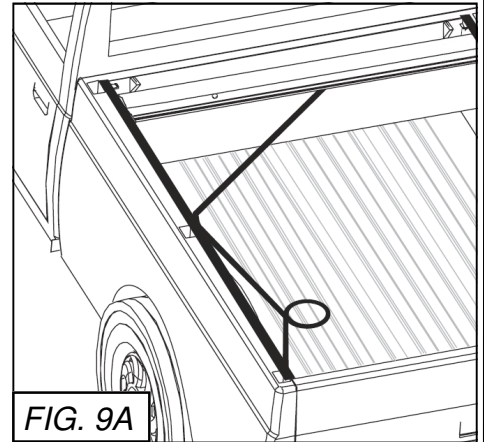
Retract the cover to the fully open position.

Attach the 4" Velcro strip onto the Velcro strip already attached to the pull strap.

Pull the pull strap over to the driver's side rail and remove the tape from the 4" Velcro strip.

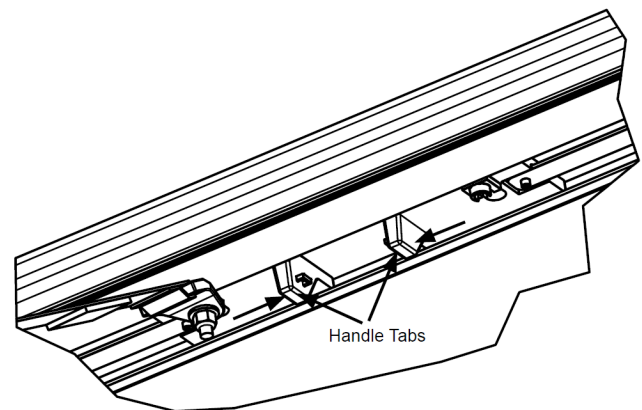
Then apply the Velcro strip onto the underside of the rail at your desired position. (*Figure 9A*)

This will hold the pull strap off of the floor and out of the way when cargo is being stored in the truck bed.



## OPERATING INSTRUCTIONS

1. To open the cover, open your tailgate and squeeze (pinch) together the Handle Tabs in the center on the underside of the cover. This retracts the latches and the cover is free to roll open into the canister.
2. To close the cover, pull on the strap to draw it back toward the tailgate. When it is within easy reach, grasp the handle by the hand grip and pull the cover to the latching position against the tailgate.
3. To secure cargo under the cover in the bed simply lock your tailgate



## MAINTENANCE

To help keep your Retractable Tonneau Cover looking it's best, we recommend washing it the same way you wash your truck. However you should not wax your cover. Using a citrus-based vinyl cleaner and protectant such as 303 brand protectant will keep your cover looking like new.

To assure quiet, smooth operation, periodically apply a generous amount of the same 303 brand protectant to a rag and wipe out the inside of the rails the underside of the sweep seal and the top of the wear strip. Repeat as needed until these components are cleaned of debris and well lubricated.

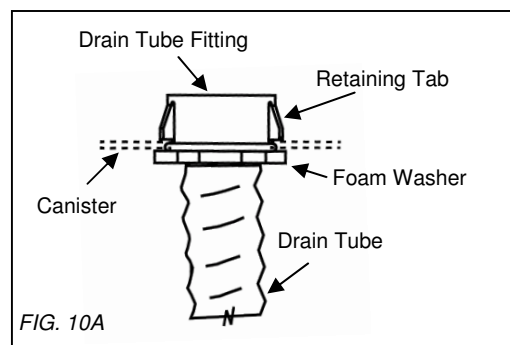
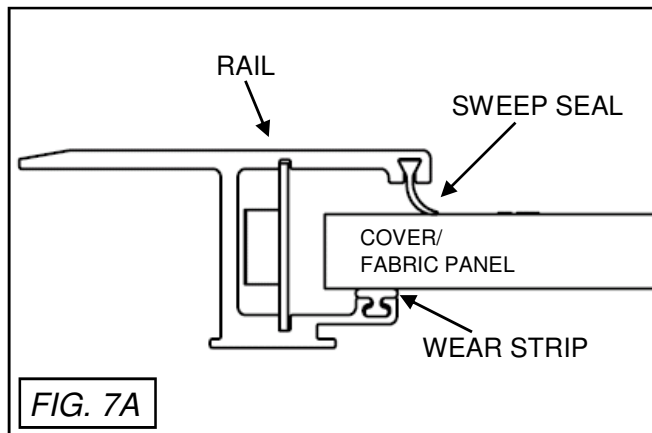
Ensure proper placement of the sweep seal as shown in step 7. Re-apply protectant/lubricant if the cover begins squeaking or sticking during use. (FIG. 7A)

**Alcohol, petroleum based or silicon-based cleaners such as Armor-All® should be avoided and ARE NOT recommended for our covers.**

It is important to open and close the cover regularly; the spring that operates the cover is self-lubricated and regular use assures that it stays in proper working condition.

Drain tubes may become clogged overtime and should be removed and cleaned. To remove the drain tubes you must; Remove the Top Cover, close the cover to the tailgate, reach in the canister and depress the plastic retaining tabs on the drain tube fittings and push the drain tube out of the hole in the bottom of the canister. (Fig. 10A)

Periodically remove the Top Cover and clean out the inside of the Canister. It is easiest to access the bottom of the canister with the Top Cover off and the cover closed.



# CONGRATULATIONS!

On your purchase of a Pace Edwards Retractable Truck Bed Cover. We are confident that you will get many years of trouble free service from this accessory to your truck. Please take a moment to fill out the warranty registration form to activate warranty coverage of your truck bed cover.

## PACE EDWARDS PRODUCT WARRANTY

PACE EDWARDS (hereinafter referred to as the MFG.) warrants each new Pace Edwards Switchblade® retractable truck bed cover to the original owner as follows:

**FOR A PERIOD OF ONE (1) YEARS FROM THE DATE THE UNIT IS DELIVERED TO THE FIRST PURCHASER OR PLACED INTO SERVICE AS A DEMONSTRATOR OR COMPANY UNIT:**

- Delamination of the ArmorTek deck
- Failure of the Continuous Tension Spring
- All hardware and components

**ITEMS NOT COVERED UNDER WARRANTY FOR ANY PERIOD OF TIME:**

- Rips, tears, or discoloration of the ArmorTek deck material
- Seals and gaskets
- Water intrusion from any source
- Dealer and/or purchaser installed parts and accessories

**CERTAIN CONDITIONS WILL VOID ALL WARRANTY.**

These conditions include:

- Use for any purpose other than normal private use including rental and promotion
- Altering the retractable truck bed cover in any manner without written approval of the MFG
- Misuse, negligence or accident
- Installation of any part or accessory without written approval from the MFG
- Failure to register this warranty with the MFG within fourteen (14) days from date of delivery

## CONDITIONS AND LIMITATIONS

This warranty is subject to certain conditions and limitations including, but not limited to, the following:

- Any part of a Pace Edwards retractable truck bed cover that is found to be defective under the terms of this warranty will be repaired or replaced using either new or reconditioned parts at the discretion of the MFG.
- In determining what constitutes a failure under the terms of this warranty the decision of the MFG shall be final.
- This warranty is extended to the original purchaser only and is not transferable to subsequent purchasers.
- The MFG does not accept any responsibility in connection with the installation of any of its products by its dealers or agents.
- The MFG does not undertake responsibility to any purchaser for warranty express or implied by any of its dealers, distributors or agents beyond that which is contained herein.
- Without regard to an alleged defect of its products the MFG under any circumstances does not assume responsibility for loss of time, inconvenience, revenue, or other consequential damage including, but not limited to, expenses for telephone, food, lodging, travel, loss or damage to the vehicle the products are installed on or loss or damage to personal property of the purchaser or user of the products.
- The MFG reserves the right to make changes in the design of, improvements to, or warranty of its products without imposing any obligation upon itself to provide the same for any products theretofore manufactured.

Some jurisdictions do not allow limitations on or exclusions to warranties, therefore some of the exclusions may not apply to you. This warranty affords you specific legal rights. You may have other legal rights that may vary from jurisdiction to jurisdiction.

## CLAIM PROCEDURE

If a part fails, the purchaser should return to the selling dealer to determine if the failed part is covered under the terms of this warranty. If a Warranty Claim is necessary, the dealer will contact Pace Edwards to obtain a Return Goods Authorization. If it is impractical for the purchaser to return to the selling dealer, then the purchaser may contact the Pace Edwards Technical Assistance Help Desk at 1-800-338-3697 to determine warranty eligibility. In either event, it is the responsibility of the purchaser to obtain a Return Goods Authorization prior to returning the defective part to the MFG. The defective part, along with a copy of the original Bill of Sale and the Pace Edwards issued RGA #, must be returned PREPAID to Pace Edwards Co. 2400 Commercial Blvd. Centralia, WA 98531. After determining the validity of the warranty claim, PACE EDWARDS will ship a replacement part prepaid to the customer. Labor costs to replace defective parts are the responsibility of the purchaser.

## WARRANTY REGISTRATION

Please return this completed warranty registration within 14-days to:  
Or go online and register your warranty at:  
[www.pace-edwards.com/Pace-Warranty](http://www.pace-edwards.com/Pace-Warranty)

Pace Edwards  
Attn: Warranty Dept.  
2400 Commercial Blvd.  
Centralia, WA 98531



NAME: \_\_\_\_\_

ADDRESS: \_\_\_\_\_

CITY: \_\_\_\_\_ PROV/STATE: \_\_\_\_\_ PC/ZIP: \_\_\_\_\_

MODEL#: \_\_\_\_\_ SERIAL#: \_\_\_\_\_

DATE OF PURCHASE: \_\_\_\_\_ PURCHASED FROM: \_\_\_\_\_ PRICE PAID: \_\_\_\_\_

CUSTOMER SIGNATURE: \_\_\_\_\_